



Waffle Iron

Felt Cloud

Nobody waffles on Waffles. They have mini pools to contain as much delicious syrup as possible, genius! Oh, you want to hear about Waffle Iron? Sorry. It is also genius. Flat-packed for cost-effective and eco-friendly shipping, it is built on-site and suspended in a matter of minutes. Coming in 16 colors, Waffle Iron is as delicious for the soul as a maple syrup drenched, piping hot, perfectly cooked, stack of waffles.

Specifying Acoustics never Felt better.

Bringing our legendary innovation, attention to detail, speed, service, and value to PET Felt.

Your Products & Our Purpose

Craft purposeful and beautiful acoustically absorbent products that help designers and builders easily create spaces that enable people to connect and be at their best.



UNMATCHED
PRODUCT
BREADTH

Made in the USA



At the foothills of the
Rocky Mountains

**VACU-
BOND®**

FOR SMOOTHER SURFACES
AND CLEANER CORNERS

2X

FASTER THAN
THE COMPETITION



START TO FINISH
UP-TO-THE-SECOND
ORDER TRANSPARENCY

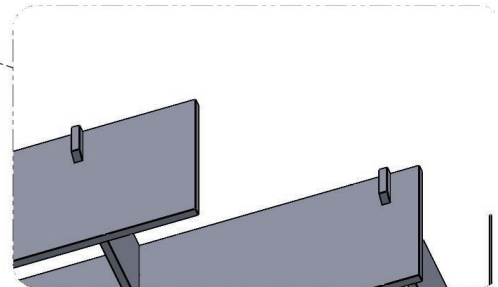
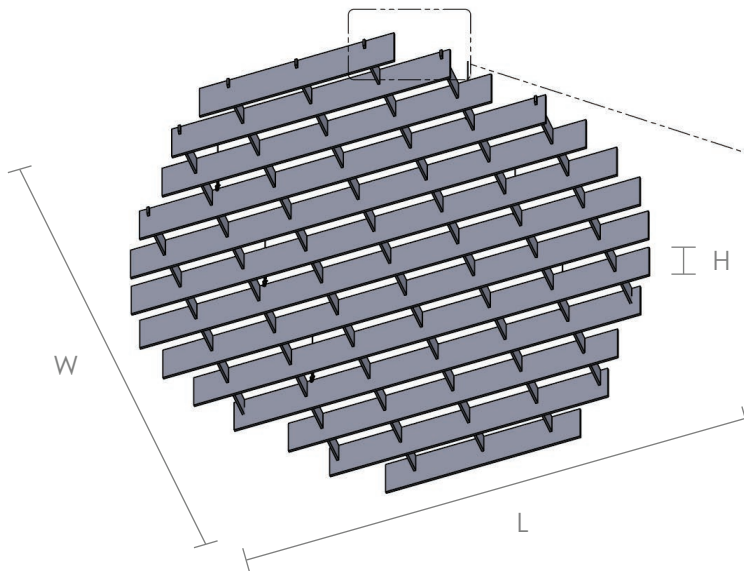
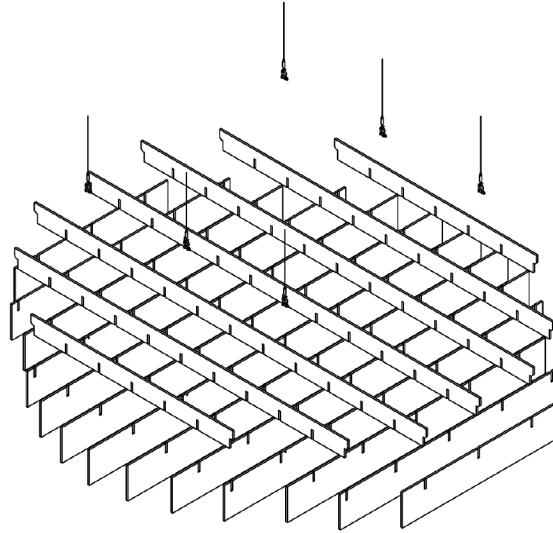
Specifications

Product Name	Waffle Iron
Lead Times	Fast Ship: 4 weeks Standard: 10 weeks
Content	100% Polyester (PET) with a minimum of 60% recycled content
Thickness	9mm
Length	95.5"
Width	95.5"
Height	7.5"
Weight	21.1 lbs
Edge Options	Exposed felt
Sound Performance	ASTM C423-17: NRC = 0.80
Fire Performance	Product made from Class A PET felt material tested under ASTM E-84
Variations	Sonus Felt uses an industry standard felting process. Slight and consistent variations in color and "heathering" should be expected when using this sustainable material. Slight imperfections are within normal manufacturing tolerances and not visible in standard installations.
Environmental	Low VOC emissions, formaldehyde and phenol-free. Red List free.
Maintenance	Vacuum to remove any loose dirt or dust. You may use a soft or plastic bristle brush to loosen it. Avoid excess pressure. Compressed air can also be used to dust the material in difficult or large installations. If stains are present, you may saturate a lint-free cloth with a mild detergent or soap and water solution.
Warranty	10 year warranty
Unit of Sale	Per baffle

Connections

Hardware & Installation

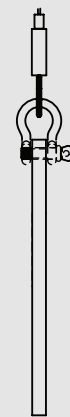
Connection points are predrilled at 4' and 2' centers. There are six connection points to easily install to your existing ceiling infrastructure.



- Cable to deck
- Cable to unistrut
- Cable to ceiling T-grid

Ceiling-side hardware choice can be dependent on application. Sonus advisors can make recommendations based on construction and design intent.

Waffle Iron
Baffle Hardware
Clevis Yoke &
Griplock with
Hook Attachment



Colors



Test Results



See Truss Me baffles.