

ACOUSTIC BLADE (13)

TOP SUPPORT BLADE (7)

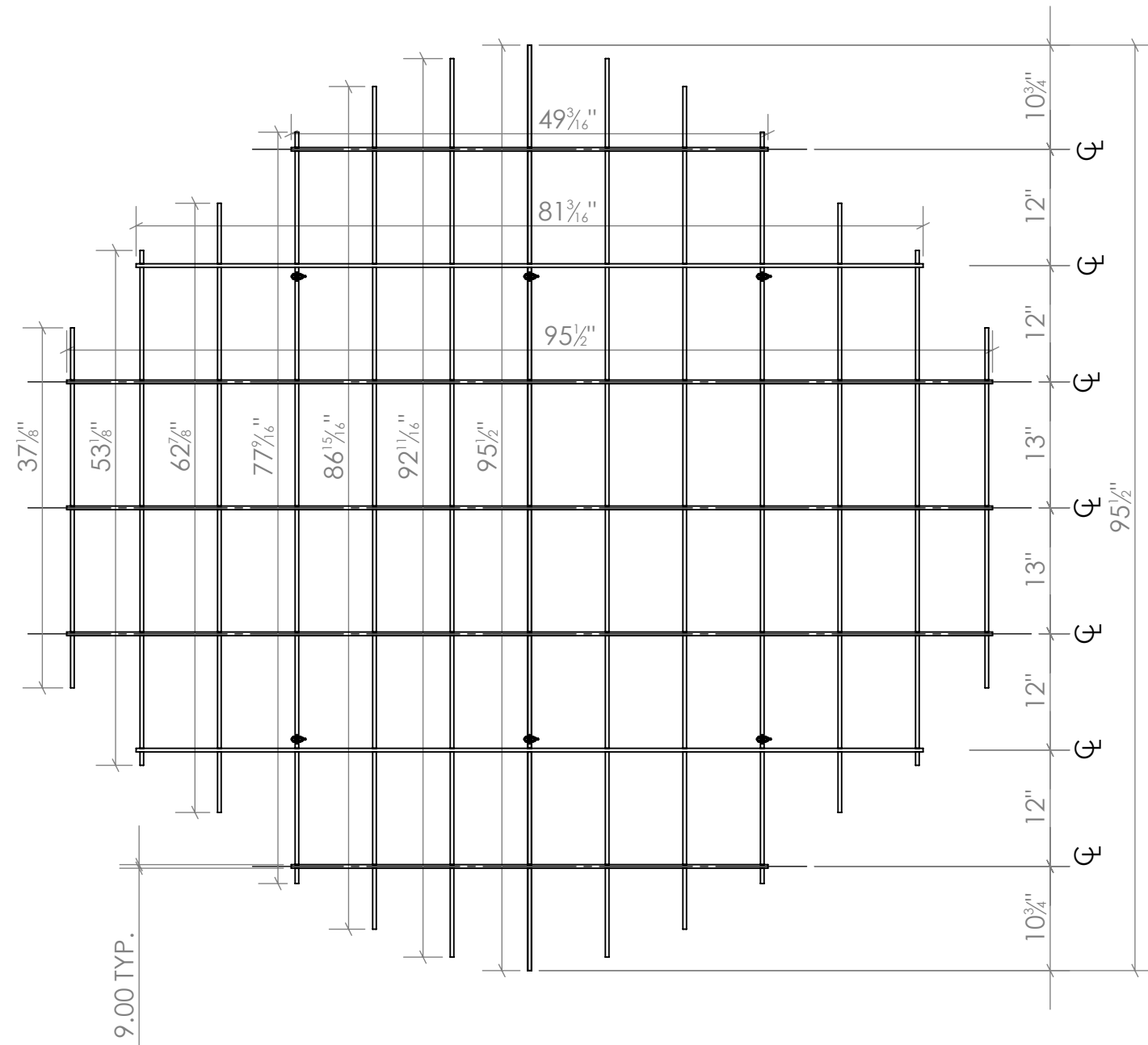
WAFFLE BAFFLE - OVERVIEW

- APPROVED
 APPROVED AS NOTED
 REVISE & RESUBMIT
 APPROVED BY: _____

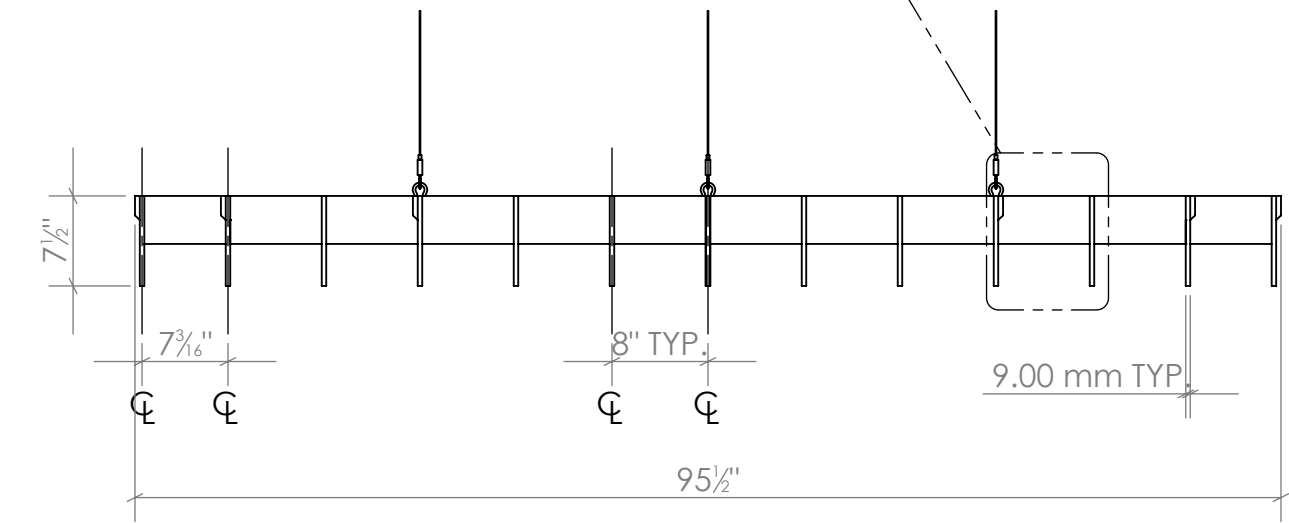
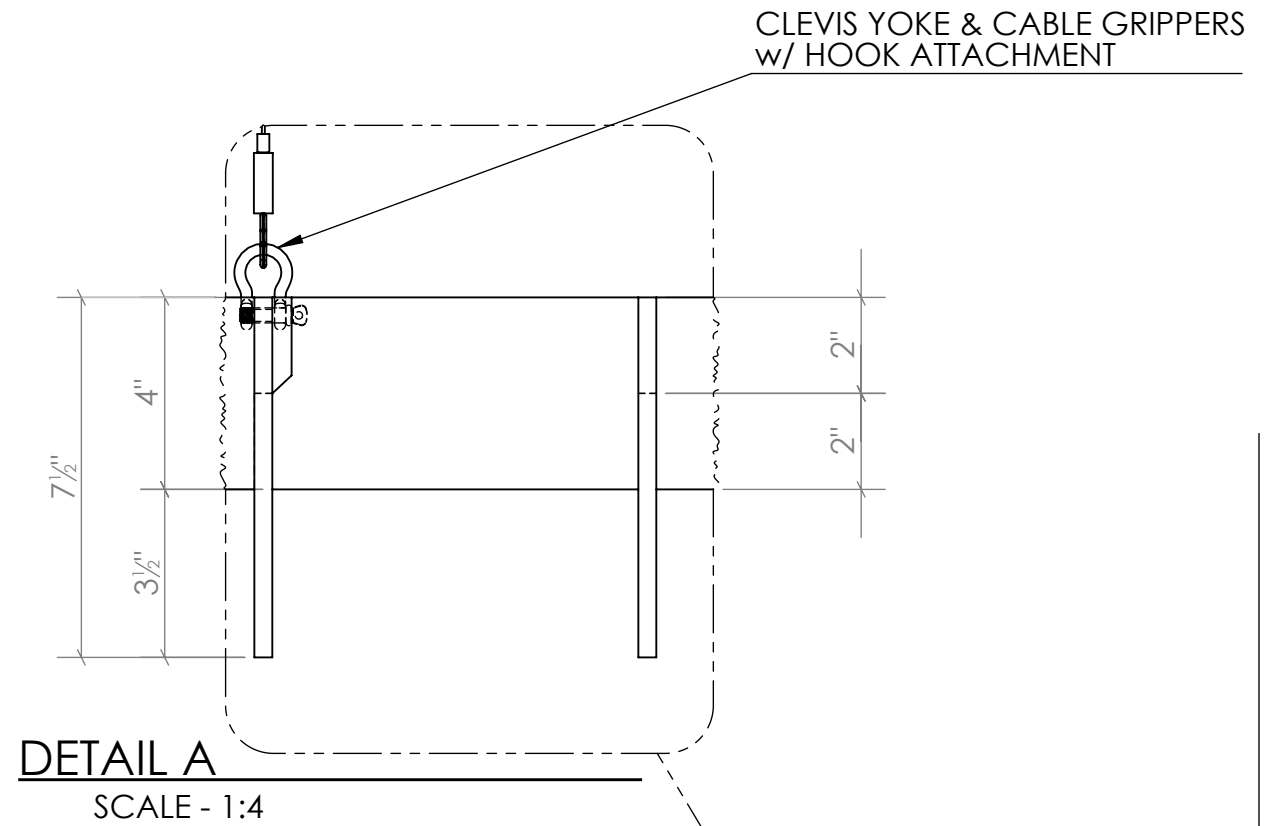
These drawings are conceptual in nature. Layouts and quantities are based on customer provided parameters. Real world conditions such as mechanical, electrical, lighting, sprinkler, and other fixture locations may affect layouts and quantities. MPS recommends field verification and coordination prior to sign-off. MPS is not liable for incorrect or lack of field information provided by the customer. Actual installation may vary due to these conditions. Please reference accompanying quote for additional information.

DATE: _____

DESCRIPTION: Waffle Grid - 9mm PET Felt - Clevis Yoke & Griplock w/ Hook Attachment - 1/16" Aircraft Cable		SURFACE MATERIALS	
REVISIONS: REV 2 - 8/9/22 REV 3 - 10/4/22 REV 4 - 10/4/22 REV 5 - 10/6/22		TITLE: WAFFLE IRON	
PROPRIETARY AND CONFIDENTIAL <small>THE INFORMATION CONTAINED IN THIS DRAWING IS THE SOLE PROPERTY OF SONUS NORTH AMERICA. ANY REPRODUCTION IN PART OR AS A WHOLE WITHOUT THE WRITTEN PERMISSION OF SONUS NORTH AMERICA IS PROHIBITED.</small>		FILE NAME: 1.01-1-001	DATE: 10/6/2022
SCALE 1:16	SURFACEMATERIALS.COM	JOB # 2-1.01	SHEET 1 OF 5

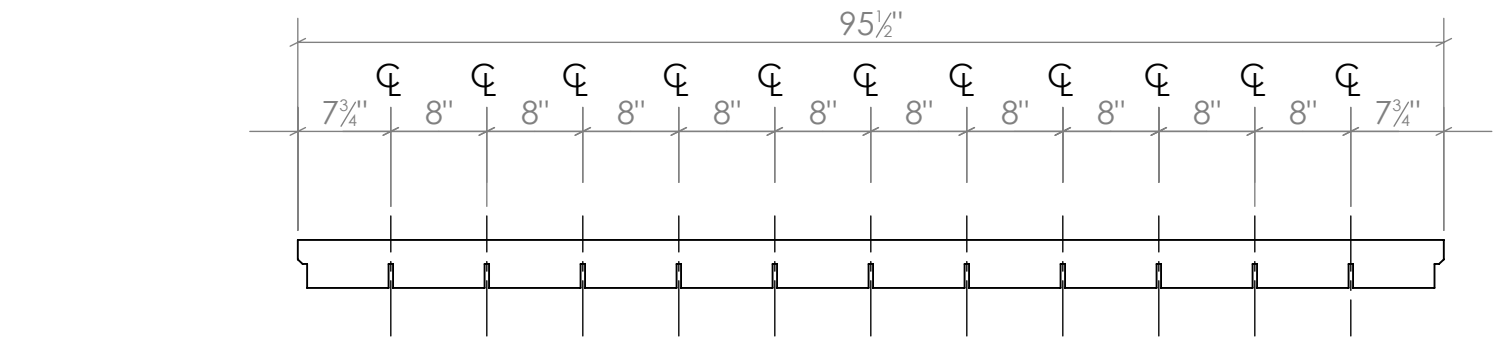
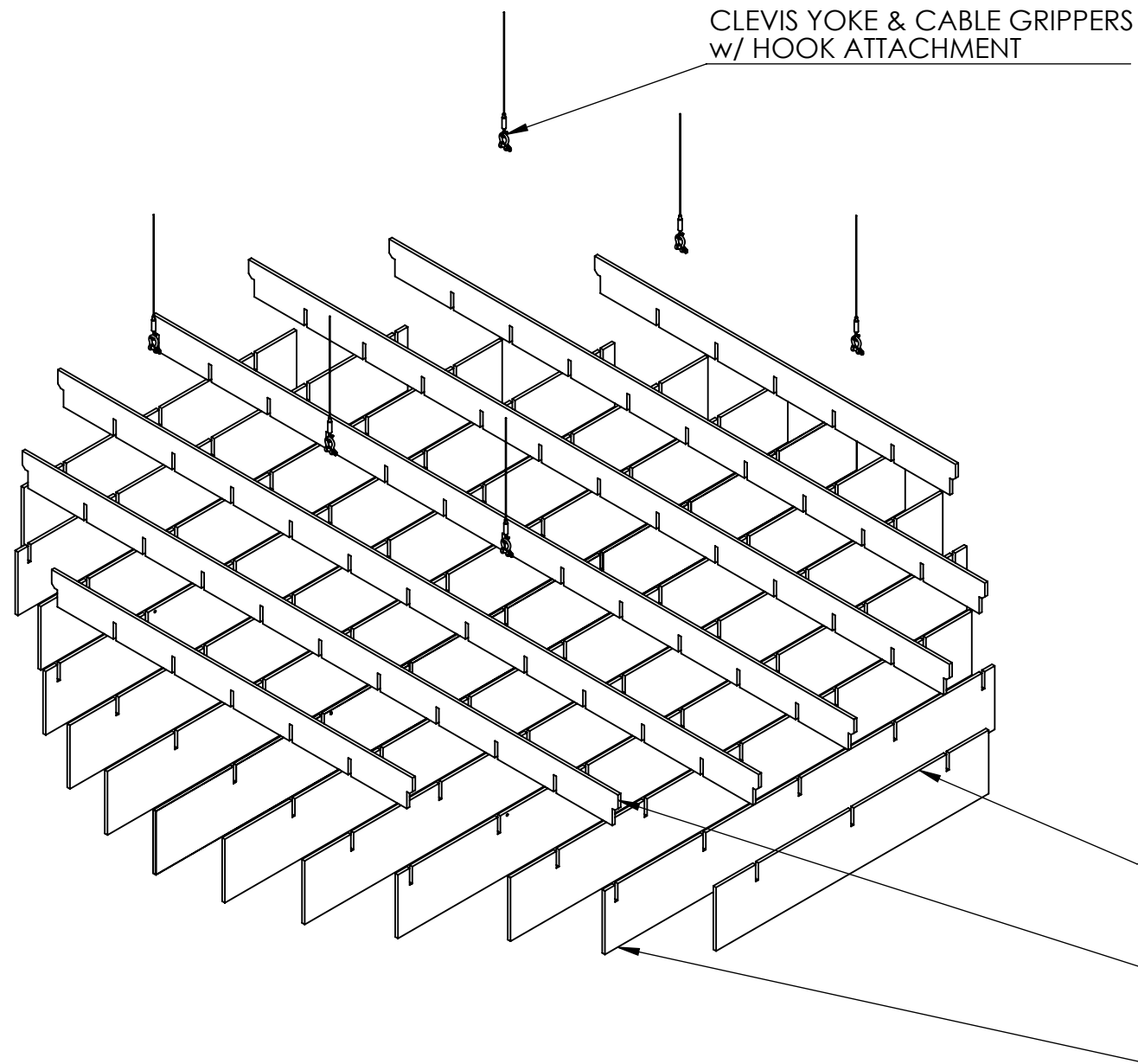


WAFFLE BAFFLE - PLAN

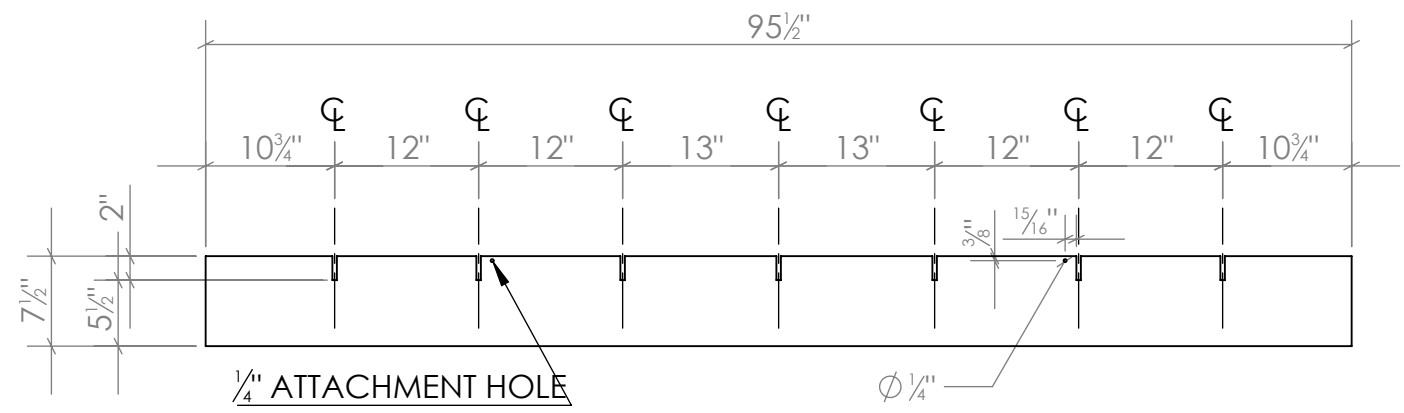


WAFFLE BAFFLE - ELEVATION

DESCRIPTION: Waffle Grid - 9mm PET Felt - Clevis Yoke & Griplock w/ Hook Attachment - 1/16" Aircraft Cable		SURFACE MATERIALS	
REVISIONS: REV 2 - 8/9/22 REV 3 - 10/4/22 REV 4 - 10/4/22 REV 5 - 10/6/22 SCALE 1:16		TITLE: WAFFLE IRON	
PROPRIETARY AND CONFIDENTIAL <small>THE INFORMATION CONTAINED IN THIS DRAWING IS THE SOLE PROPERTY OF SONUS NORTH AMERICA. ANY REPRODUCTION IN PART OR AS A WHOLE WITHOUT THE WRITTEN PERMISSION OF SONUS NORTH AMERICA IS PROHIBITED.</small>		FILE NAME: 1.01-1-001	DATE: 10/6/2022
SURFACEMATERIALS.COM		JOB # 2-1.01	SHEET 2 OF 5



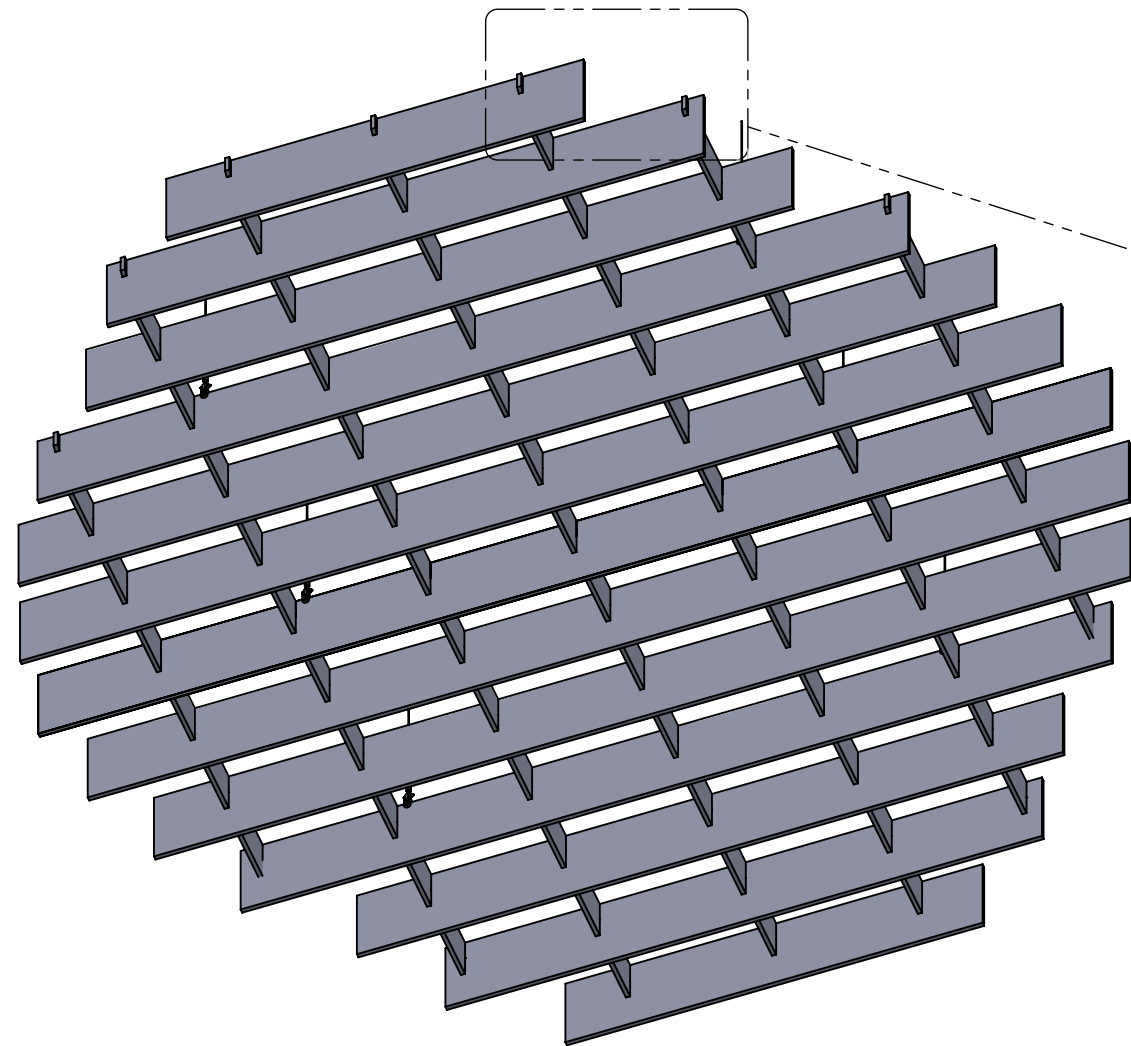
TOP SUPPORT BLADE - ELEVATION



BOTTOM WAFFLE BLADE - ELEVATION

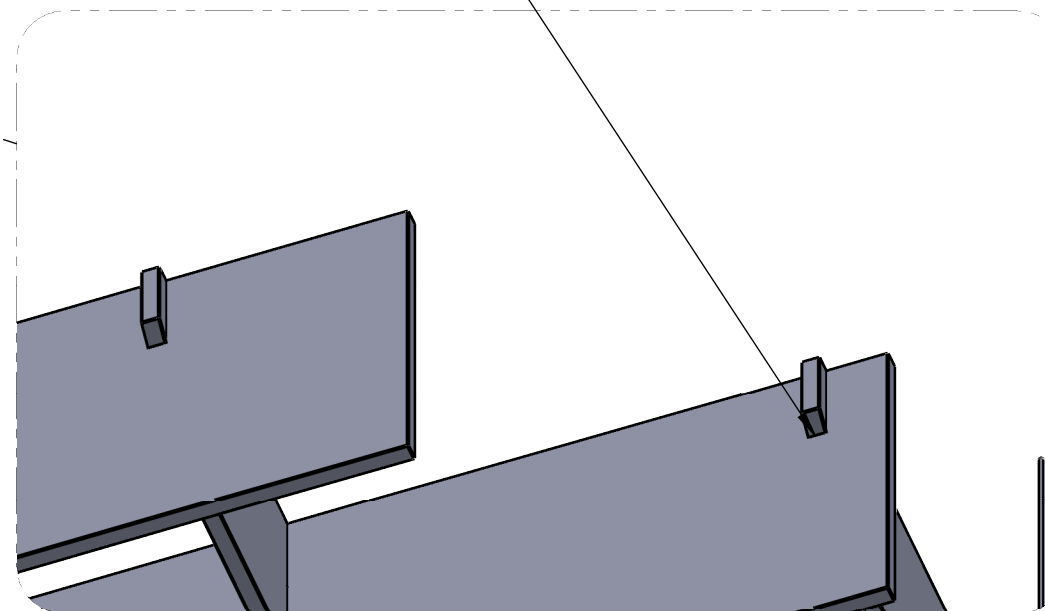
WAFFLE BAFFLE - EXPLODED

DESCRIPTION: Waffle Grid - 9mm PET Felt - Clevis Yoke & Griplock w/ Hook Attachment - 1/16" Aircraft Cable		SURFACE MATERIALS	
REVISIONS: REV 2 - 8/9/22 REV 3 - 10/4/22 REV 4 - 10/4/22 REV 5 - 10/6/22 SCALE 1:16		TITLE: WAFFLE IRON	
PROPRIETARY AND CONFIDENTIAL <small>THE INFORMATION CONTAINED IN THIS DRAWING IS THE SOLE PROPERTY OF SONUS NORTH AMERICA. ANY REPRODUCTION IN PART OR AS A WHOLE WITHOUT THE WRITTEN PERMISSION OF SONUS NORTH AMERICA IS PROHIBITED.</small>		FILE NAME: 1.01-1-001	DATE: 10/6/2022
SURFACEMATERIALS.COM		JOB # 2-1.01	SHEET 3 OF 5



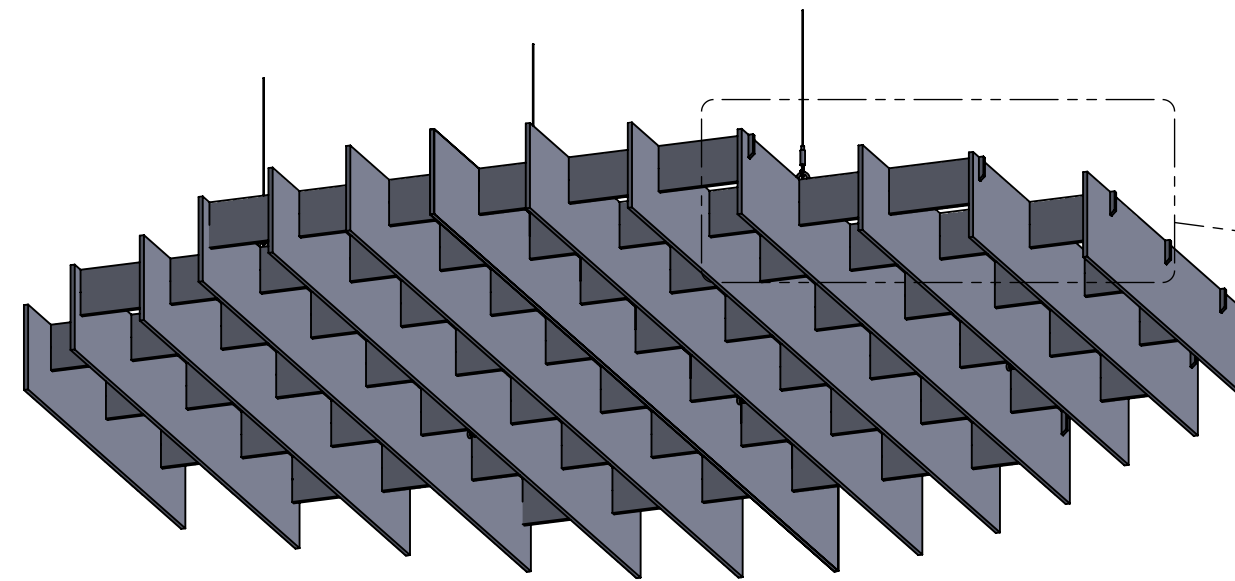
WAFFLE BAFFLE - OVERVIEW

ORIGINAL DIMENSIONS WERE CORRECT
SUPPORTS FIT PROPERLY INTO BLADES

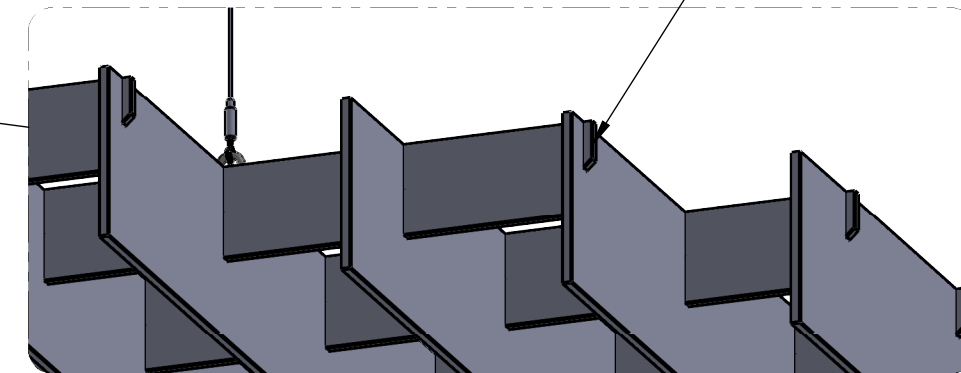


DETAIL B

DESCRIPTION: Waffle Grid - 9mm PET Felt - Clevis Yoke & Griplock w/ Hook Attachment - 1/16" Aircraft Cable		SURFACE MATERIALS	
REVISIONS: REV 2 - 8/9/22 REV 3 - 10/4/22 REV 4 - 10/4/22 REV 5 - 10/6/22		TITLE: WAFFLE IRON	
SCALE 1:16		PROPRIETARY AND CONFIDENTIAL <small>THE INFORMATION CONTAINED IN THIS DRAWING IS THE SOLE PROPERTY OF SONUS NORTH AMERICA. ANY REPRODUCTION IN PART OR AS A WHOLE WITHOUT THE WRITTEN PERMISSION OF SONUS NORTH AMERICA IS PROHIBITED.</small>	FILE NAME: 1.01-1-001
SURFACEMATERIALS.COM		JOB # 2-1.01	DATE: 10/6/2022 SHEET 4 OF 5



SUPPORT BLADES FIT INTO WAFFLE BLADES



DETAIL C

WAFFLE BAFFLE - REVISED - OVERVIEW

DESCRIPTION: Waffle Grid - 9mm PET Felt - Clevis Yoke & Griplock w/ Hook Attachment - 1/16" Aircraft Cable		SURFACE MATERIALS	
REVISIONS: REV 2 - 8/9/22		TITLE: WAFFLE IRON	
REV 3 - 10/4/22	PROPRIETARY AND CONFIDENTIAL	FILE NAME:	DATE:
REV 4 - 10/4/22	THE INFORMATION CONTAINED IN THIS DRAWING IS THE SOLE PROPERTY OF SONUS NORTH AMERICA. ANY REPRODUCTION IN PART OR AS A WHOLE WITHOUT THE WRITTEN PERMISSION OF SONUS NORTH AMERICA IS PROHIBITED.	1.01-1-001	10/6/2022
REV 5 - 10/6/22		JOB # 2-1.01	SHEET 5 OF 5
SCALE 1:16	SURFACEMATERIALS.COM		