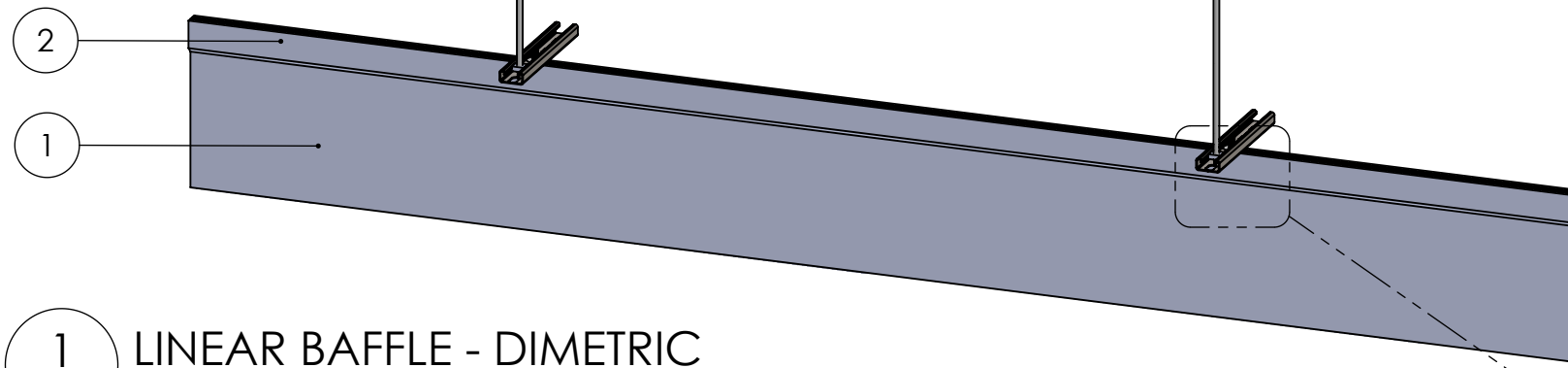


1
SHEET 1

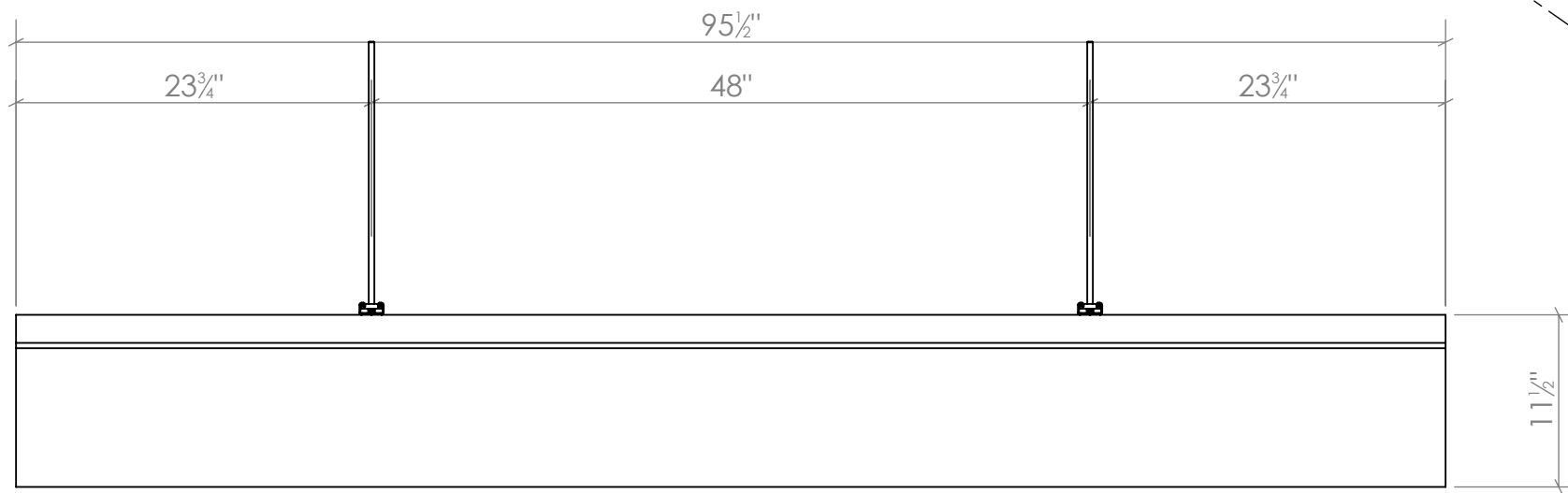
LINEAR BAFFLES w/ UNISTRUT - BOTTOM DIMETRIC

DESCRIPTION: Linear Rectangle Blade - 9mm PET Felt - Stiffener - Unistrut Attachement - All Thread		SURFACE MATERIALS	
REVISIONS: REV 3 - 7/29/22		TITLE: TRUSS ME	
REV 4 - 8/7/22	PROPRIETARY AND CONFIDENTIAL	FILE NAME:	DATE:
REV 5 - 8/8/22	THE INFORMATION CONTAINED IN THIS DRAWING IS THE SOLE PROPERTY OF SONUS NORTH AMERICA. ANY REPRODUCTION IN PART OR AS A WHOLE WITHOUT THE WRITTEN PERMISSION OF SONUS NORTH AMERICA IS PROHIBITED.	1.07-1-001	10/6/2022
REV 6 - 10/6/22		JOB # 2-1.07	SHEET 1 OF 4
SCALE 1:8	SURFACEMATERIALS.COM		

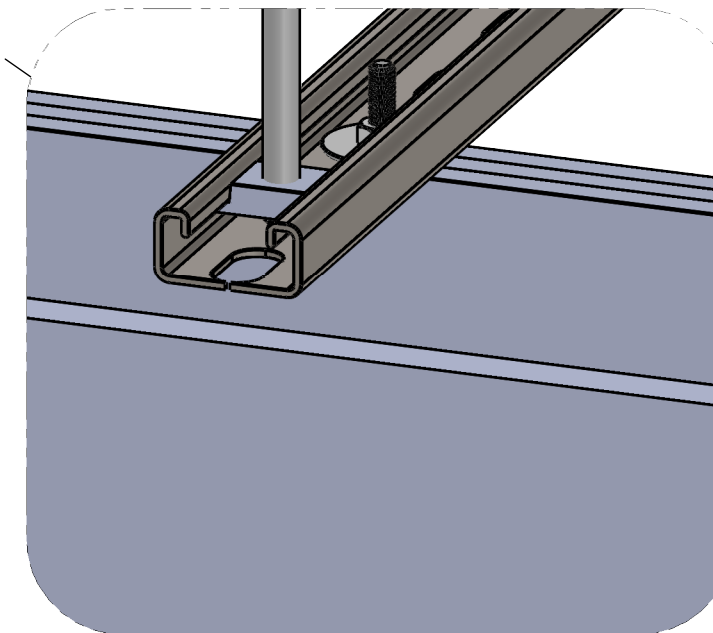


1 LINEAR BAFFLE - DIMETRIC
SHEET 2

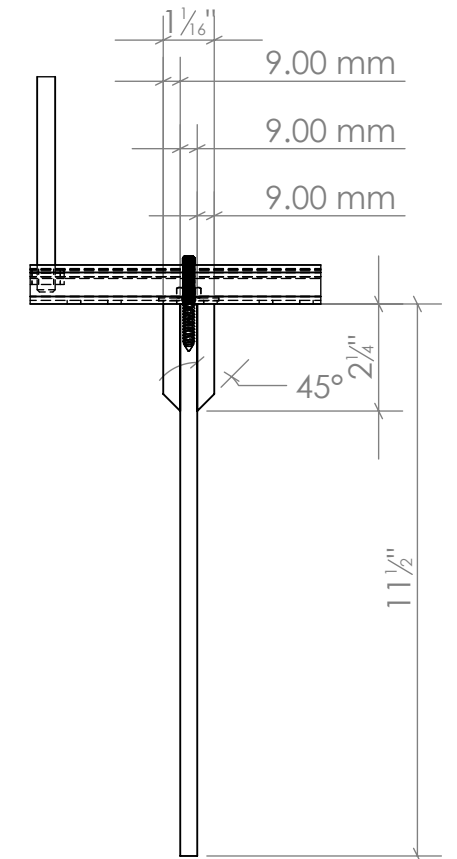
ITEM NO.	PART NUMBER	DESCRIPTION	QTY.
1	BAFFLE Linear	9mm PET Felt	1
2	BAFFLE Stiffener	9mm PET Felt	2
3	unistrut P4100T	1-5/8" x 13/16", 14 Gage, Slotted	2
4	Unistrut P4006	Channel Nut w/ spring, 1-5/8" series	10
5	All Thread	3/8"-16 Threaded Rod, zinc plated	10
6	Hex Nut	1/4-20 Medium-Strength Steel	2
7	Hanger Bolt	1/4"-20 Double-Headed	2
8	Oversized Washer	1-1/4" Diameter	2



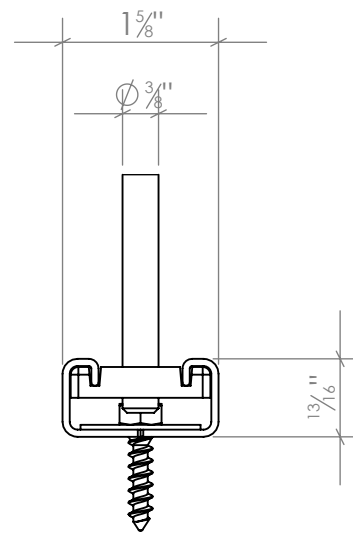
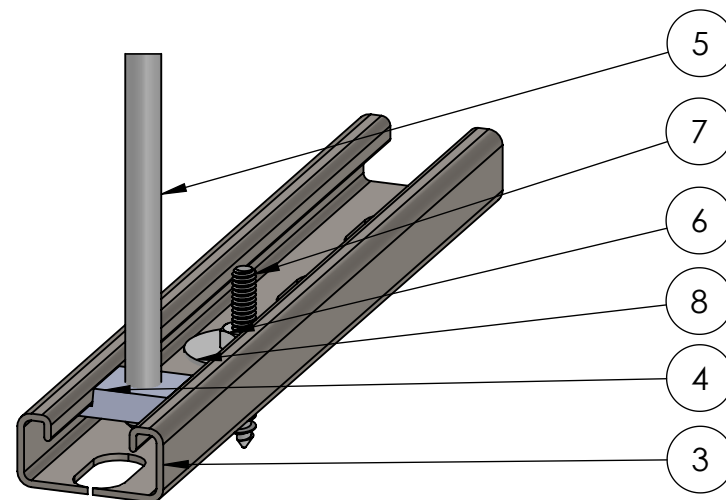
2 LINEAR BAFFLE - ELEVATION
SHEET 2



4 DETAIL - 4/SHEET 2
SHEET 2
SCALE - 1:2

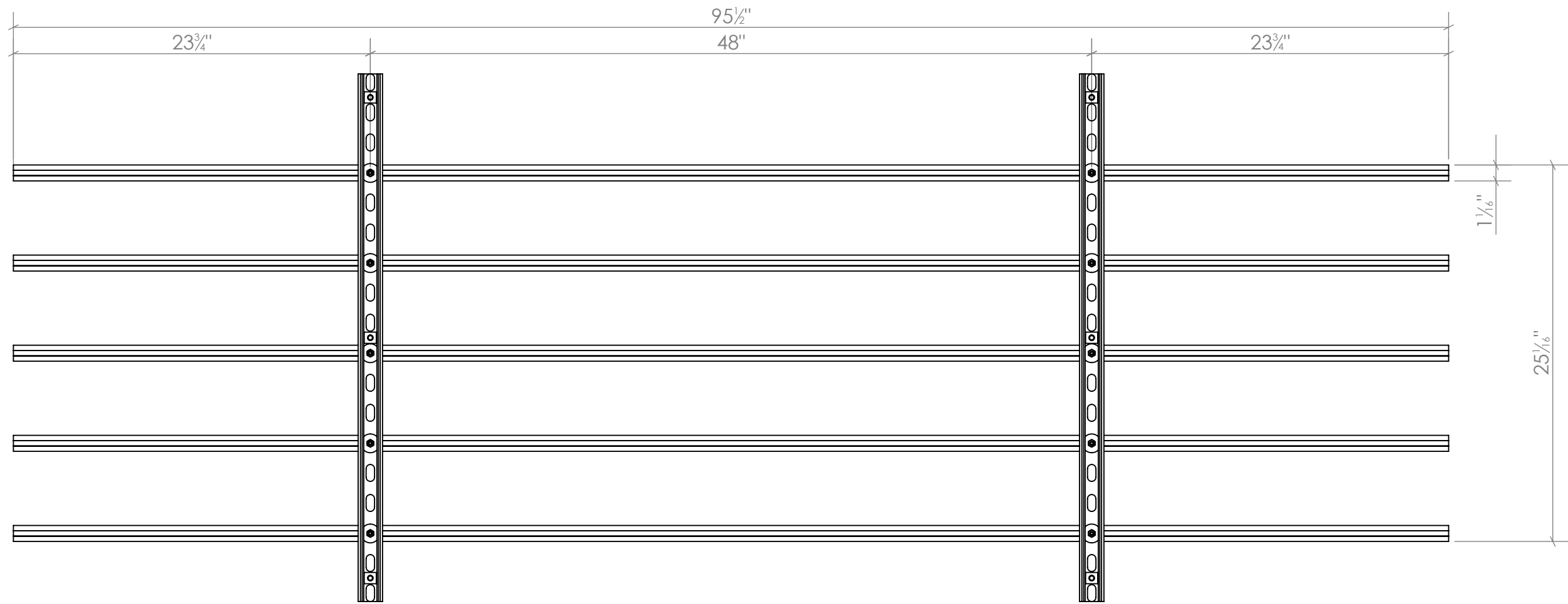


5 LINEAR BAFFLE - END
SHEET 2
SCALE - 1:4

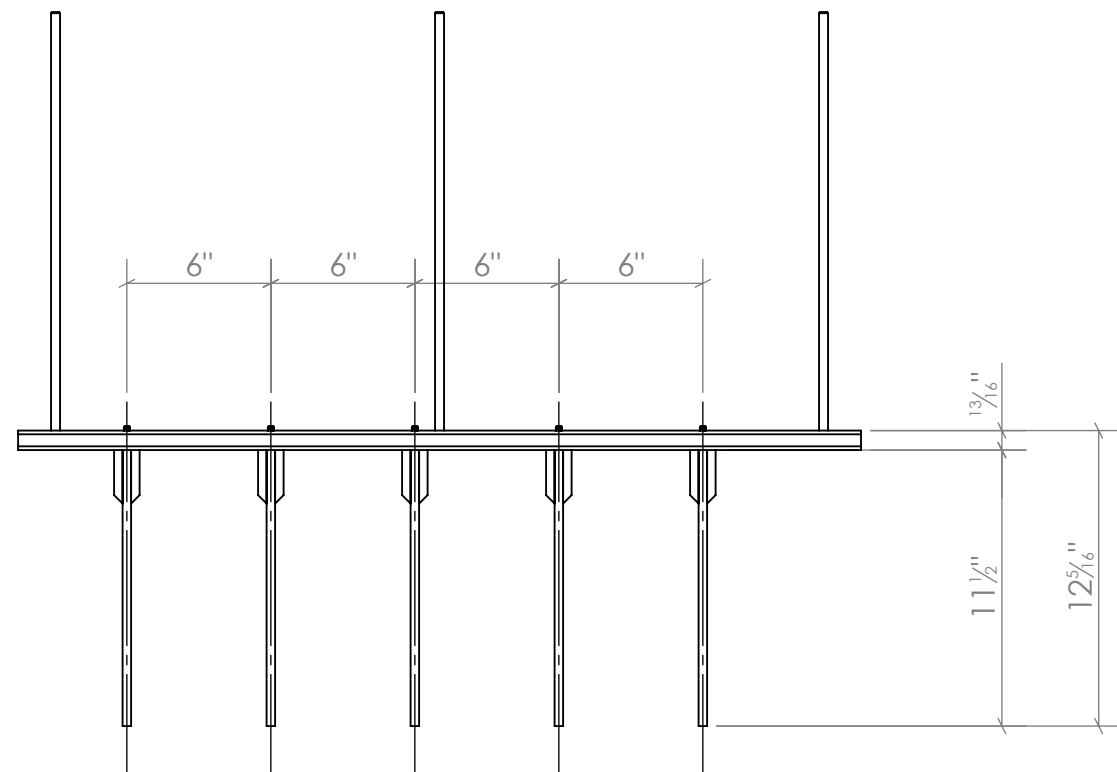


3 UNISTRUT - ASSEMBLY
SHEET 2
SCALE - 1:2

DESCRIPTION: Linear Rectangle Blade - 9mm PET Felt - Stiffener - Unistrut Attachement - All Thread		SURFACE MATERIALS	
REVISIONS: REV 3 - 7/29/22 REV 4 - 8/7/22 REV 5 - 8/8/22 REV 6 - 10/6/22 SCALE 1:12		TITLE: TRUSS ME	
PROPRIETARY AND CONFIDENTIAL <small>THE INFORMATION CONTAINED IN THIS DRAWING IS THE SOLE PROPERTY OF SONUS NORTH AMERICA. ANY REPRODUCTION IN PART OR AS A WHOLE WITHOUT THE WRITTEN PERMISSION OF SONUS NORTH AMERICA IS PROHIBITED.</small>		FILE NAME: 1.07-1-001	DATE: 10/6/2022
SURFACEMATERIALS.COM		JOB # 2-1.07	SHEET 2 OF 4



1 LINEAR BAFFLES - PLAN
SHEET 3

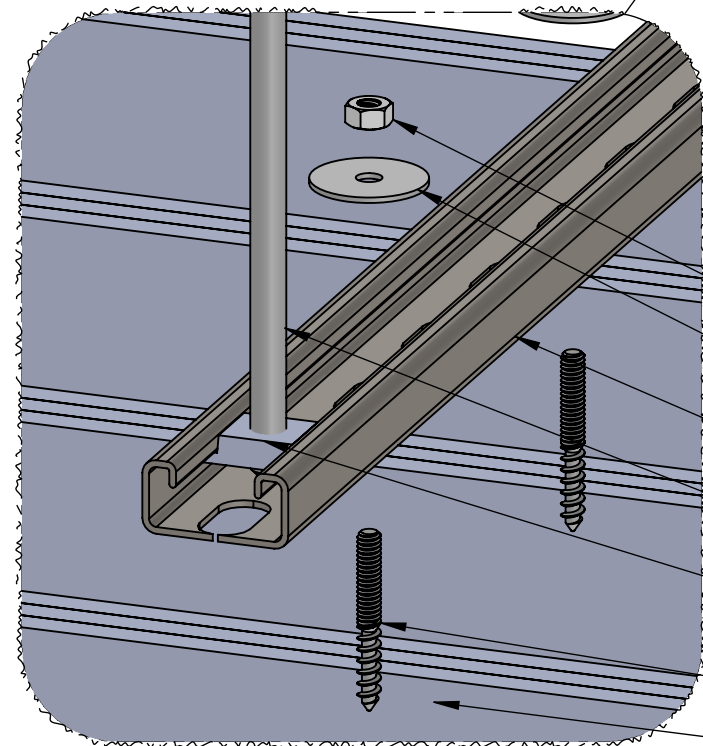


2 LINEAR BAFFLES - END
SHEET 3

DESCRIPTION: Linear Rectangle Blade - 9mm PET Felt - Stiffener - Unistrut Attachement - All Thread		SURFACE MATERIALS	
REVISIONS: REV 3 - 7/29/22 REV 4 - 8/7/22 REV 5 - 8/8/22 REV 6 - 10/6/22 SCALE 1:8		TITLE: TRUSS ME	
PROPRIETARY AND CONFIDENTIAL <small>THE INFORMATION CONTAINED IN THIS DRAWING IS THE SOLE PROPERTY OF SONUS NORTH AMERICA. ANY REPRODUCTION IN PART OR AS A WHOLE WITHOUT THE WRITTEN PERMISSION OF SONUS NORTH AMERICA IS PROHIBITED.</small>		FILE NAME: 1.07-1-001	DATE: 10/6/2022
SURFACEMATERIALS.COM		JOB # 2-1.07	SHEET 3 OF 4

UNISTRUT w/ ALL THREAD ATTACHMENT
PROVIDED BY OTHERS

LINEAR BAFFLE
w/ STIFFENERS



1 LINEAR BAFFLES - EXPLODED
SHEET 4

- NUT
- WASHER
- UNISTRUT
- ALL THREAD
- CHANNEL NUT
- HANGER BOLT
- LINEAR BAFFLE w/ STIFFENER

DESCRIPTION: Linear Rectangle Blade
- 9mm PET Felt
- Stiffener
- Unistrut Attachment
- All Thread

REVISIONS: REV 3 - 7/29/22

PROPRIETARY AND CONFIDENTIAL

REV 4 - 8/7/22

THE INFORMATION CONTAINED IN THIS DRAWING IS THE SOLE PROPERTY OF SONUS NORTH AMERICA. ANY REPRODUCTION IN PART OR AS A WHOLE WITHOUT THE WRITTEN PERMISSION OF SONUS NORTH AMERICA IS PROHIBITED.

REV 5 - 8/8/22

REV 6 - 10/6/22

SCALE 1:8

SURFACEMATERIALS.COM

SURFACE MATERIALS

TITLE:

TRUSS ME

FILE NAME:

1.07-1-001

DATE:

10/6/2022

JOB # 2-1.07

SHEET 4 OF 4

2 DETAIL - 2/ SHEET 4
SCALE - 1:2