



Straight Away

Felt Baffle

Simple, fast, clean: Straight Away. It doesn't get much more modern than one single-thickness, straight, blade baffle. Put the pedal to the metal with our ridiculously easy installation. Throw away the ear plugs, because there is no noise with this Straight Away! Throw away your fire suit, you got a Class A Fire Rating here. From the starting line to the checkered flag, the competition is no match for Sonus Straight Away.

Specifying Acoustics never Felt better.

Bringing our legendary innovation, attention to detail, speed, service, and value to PET felt.

Your Products & Our Purpose

Craft purposeful and beautiful acoustically absorbent products that help designers and builders easily create spaces that enable people to connect and be at their best.



Specifications

Product Name	Straight Away
Content	100% Polyester (PET) with a minimum of 60% recycled content
Thickness	24mm
Sizes	47.5" x 23.5" or 95.5" x 11.5" (Custom lengths available)
Weight	1.1 lbs per sq ft
Edge Options	Exposed felt
Sound Performance	ASTM C423-17: NRC = 0.80
Fire Performance	Product made from Class A PET felt material tested under ASTM-84
Variations	Sonus Felt uses an industry standard felting process. Slight and consistent variations in color and "heathering" should be expected when using this sustainable material. Slight imperfections are within normal manufacturing tolerance and not visible in standard installations.
Environmental	Low VOC emissions, formaldehyde and phenol-free. Red List free.
Maintenance	Vacuum to remove any loose dirt or dust. You may use a soft or plastic bristle brush to loosen it. Avoid excess pressure. Compressed air can also be used to dust the material in difficult or large installations. If stains are present, you may saturate a lint-free cloth with a mild detergent or soap and water solution.
Warranty	10 years
Unit of Sale	Per Unit



Construction & Hardware

Spacing

Baffles may be direct-connect or suspended. Connection points on baffle vary by length of baffle. The following is a guide.

Baffle Length	Distance
18–30"	12"
31–54"	24"
55–95.5"	48"

Suspension

Cable gripper and 1/16" aircraft wire

Attached directly to the deck or ceiling infrastructure, aircraft cables can be arranged in any desired look and feel. The baffles have embedded cable grippers enabling them to be installed in seconds to any deck mounted 1/16" cable.

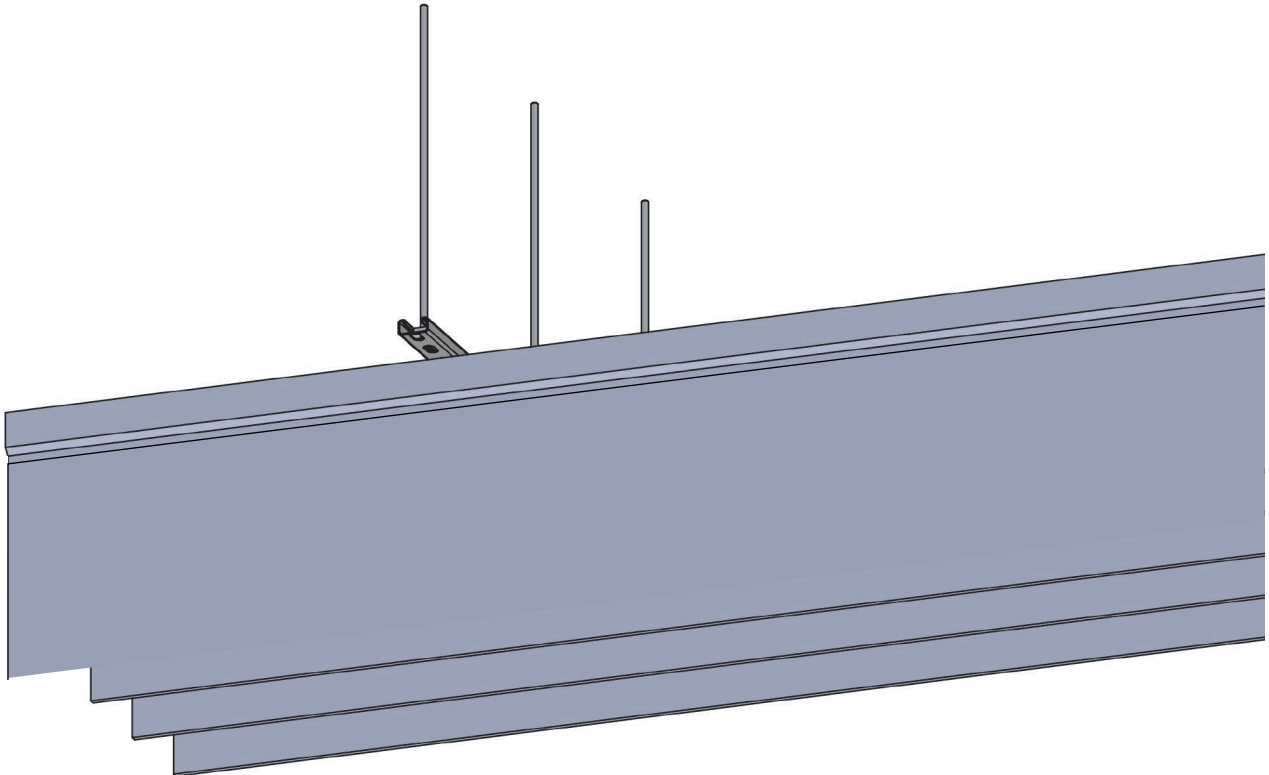
- Cable to deck
- Cable to unistrut
- Cable to ceiling T-grid

Ceiling-side hardware choice can be dependent on application. Sonus advisors can make recommendations based on construction and design intent.

Direct

Stud to unistrut

Bolt directly to unistrut in seconds and enjoy a consistent and balanced installation — saving both time and money.



surfacematerials

The ultimate in interior finish products.

(440) 248-0000

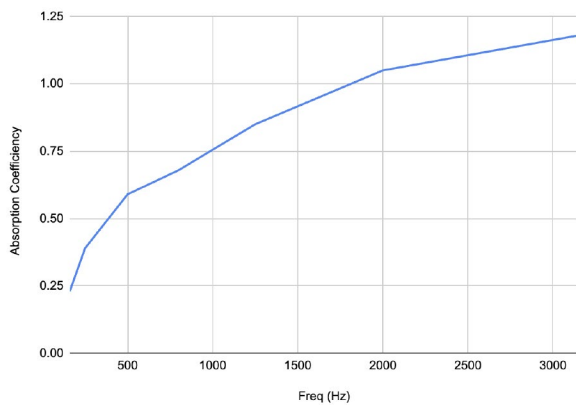
6655 parkland boulevard
solon, ohio 44139
(440) 519-1950 fax
www.surfacematerials.com

Colors



Test Results

Absorption Coefficient vs. Freq (Hz)



Freq (Hz)	Absorption Coefficient
160	0.23
250	0.39
500	0.59
800	0.68
1250	0.85
2000	1.05
3150	1.18
NRC	0.80

The Noise Reduction Coefficient (NRC) is calculated as the arithmetic average of the absorption coefficients in the shaded bands only (250, 500, 1250 & 2000 Hz).

ASTM C 423-17: Type F610 Mounting using 10 units suspended to simulate a typical baffle installation in grid.