



Power Surge

Felt Baffle

If 70's and 80's heavy metal was an acoustic product, Power Surge is your headliner. Inspired mostly by boomboxes and jets (and a little by the strength and structure found in modern and industrial open plenum ceiling spaces), Power Surge looks perfectly at home in almost every space you can imagine. It can blend in or it can catch the eye. The hardware and installation applications are also equally as diverse. Power Surge rules!

Specifying Acoustics never Felt better.

Bringing our legendary innovation, attention to detail, speed, service, and value to PET Felt.

Your Products & Our Purpose

Craft purposeful and beautiful acoustically absorbent products that help designers and builders easily create spaces that enable people to connect and be at their best.



UNMATCHED
PRODUCT
BREADTH

Made in the USA



At the foothills of the
Rocky Mountains

VACU-
BOND®

FOR SMOOTHER SURFACES
AND CLEANER CORNERS

2X

FASTER THAN
THE COMPETITION



START TO FINISH
UP-TO-THE-SECOND
ORDER TRANSPARENCY

Specifications

Product Name	Power Surge
Lead Times	Fast Ship: 4 weeks Standard: 10 weeks
Content	100% Polyester (PET) with a minimum of 60% recycled content
Thickness	9mm
Length	Standard: 47.5", 59.5", 71.5", 95.5" (Custom lengths available)
Width	5.75"
Height	5.75"
Weight	.76 lbs/linear ft (+/- 10%)
Edge Options	Exposed felt
Sound Performance	ASTM C423-17: NRC = 0.90
Fire Performance	Product made from Class A PET felt material tested under ASTM E-84
Variations	Sonus Felt uses an industry standard felting process. Slight and consistent variations in color and "heathering" should be expected when using this sustainable material. Slight imperfections are within normal manufacturing tolerances and not visible in standard installations.
Environmental	Low VOC emissions, formaldehyde and phenol-free. Red List free.
Maintenance	Vacuum to remove any loose dirt or dust. You may use a soft or plastic bristle brush to loosen it. Avoid excess pressure. Compressed air can also be used to dust the material in difficult or large installations. If stains are present, you may saturate a lint-free cloth with a mild detergent or soap and water solution.
Warranty	10 year warranty
Unit of Sale	Per baffle

Connections

Spacing

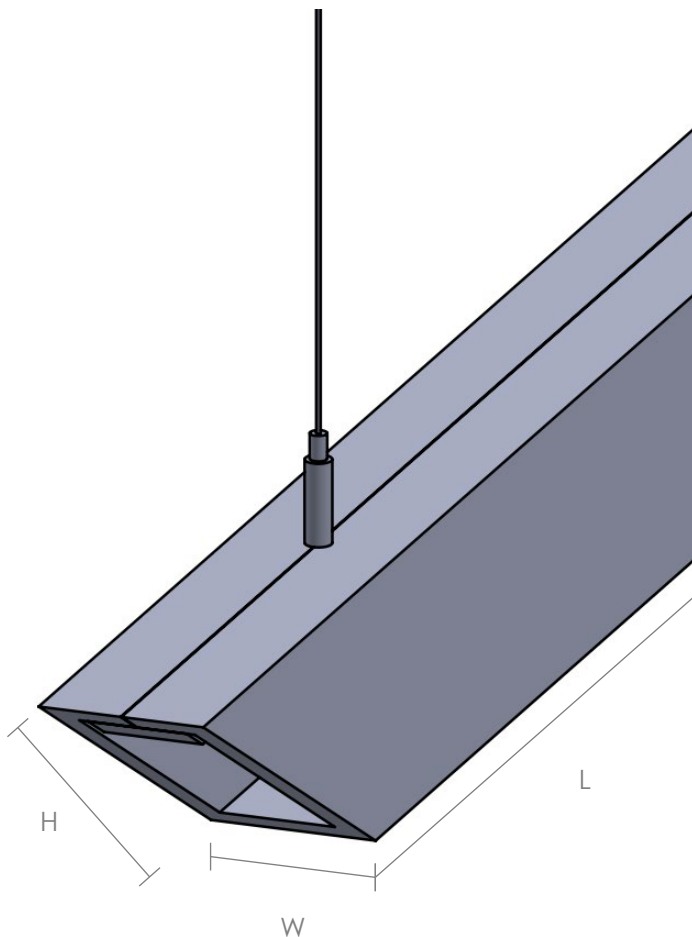
Baffles may be direct-connect or suspended. Connection points on baffle vary by length of baffle. The following is a guide.

Baffle Length	Distance
18–30"	12"
31–54"	24"
55–95.5"	48"

Suspension

Cable gripper and 1/16" aircraft wire

Attached directly to the deck or ceiling infrastructure, aircraft cables can be arranged in any desired look and feel. The baffles have embedded cable grippers enabling them to be installed in seconds to any deck mounted 1/16" cable.



- Cable to deck
- Cable to unistrut
- Cable to ceiling T-grid

Ceiling-side hardware choice can be dependent on application. Sonus advisors can make recommendations based on construction and design intent.

Direct

Stud to unistrut

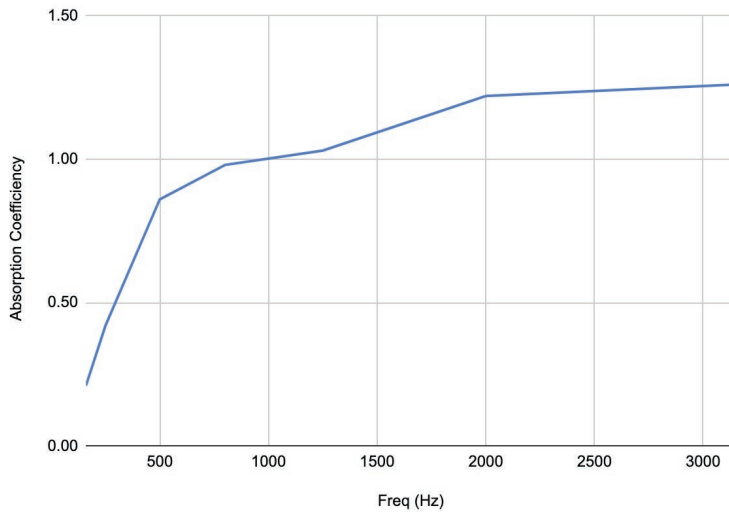
Bolt directly to unistrut in seconds and enjoy a consistent and balanced installation — saving both time and money.

Colors



Test Results

Absorption Coefficient vs. Freq (Hz)



Freq (Hz)	Absorption Coefficient
160	0.21
250	0.42
500	0.86
800	0.98
1250	1.03
2000	1.22
3150	1.26

ASTM C 423-17: Type J Mounting - using 4 baffle units suspended with aircraft wire. 12" oc to simulate a typical baffle installation.