



# Aoudi

## Surface-mounted & Suspended-mount Wood Plank System

When looking for modern design wood surface-materials, don't walk the plank. Use Aoudi planks. The design consists of multiple four, six, eight, or ten foot long panels that are six to twelve inches wide. Aoudi planks are perfect for large areas or accents. Get all the sound absorbing properties of acoustic panels with the appearance of wood board!

### Features

- Aoudi Planks weigh just 1lb per square foot, just 30% the weight of traditional MDF, resulting in less installation cost
- Redesigned with front and back layers of high-density acoustic board for added rigidity
- The same great look of wood panels with the NRC value of acoustic materials
- Facing edges can be square and edgebanded or rounded and wrapped
- On average, Sonus' Aoudi Plank System is 28% less cost than MDF systems

# Aoudi

Length	4', 6', 8', 10' (custom lengths available)
Width	6", 8", 12" (custom widths available)
Thickness	1 1/4", 2 1/4"
Reveal	1/8"
Tolerance	+/- 1/16"
Core	High-end acoustical performing facer board (1/8") adds rigidity and strength to our 1" or 2" core acoustic substrate. Core substrate comprised of 6–7 pcf fiberglass known for its high-performing sound absorption capabilities, thermal properties, and high dimensional stability.
Edge Detail	Hardened
Edge Profile	Square and Edgebanded or Rounded and Wrapped
Mounting Type	Surface-Mounted or Suspended-Mount (standard 15/16" T Grid)
Mounting Hardware	Z-clips
Flammability	ASTM e84 Class A
NRC	1.25" = .85, 2.25" = .95

## Our Craftsmanship Guarantee is really simple:

If there is a craftsmanship defect detected, we will repair or replace the impacted product.

If the product was damaged during shipping and it was because of how we packaged it, we will repair or replace the impacted product.

The length of our guarantee is five (5) years provided you used a Certified PRO Installer; otherwise, it is a standard three (3) years.

## Lead Time

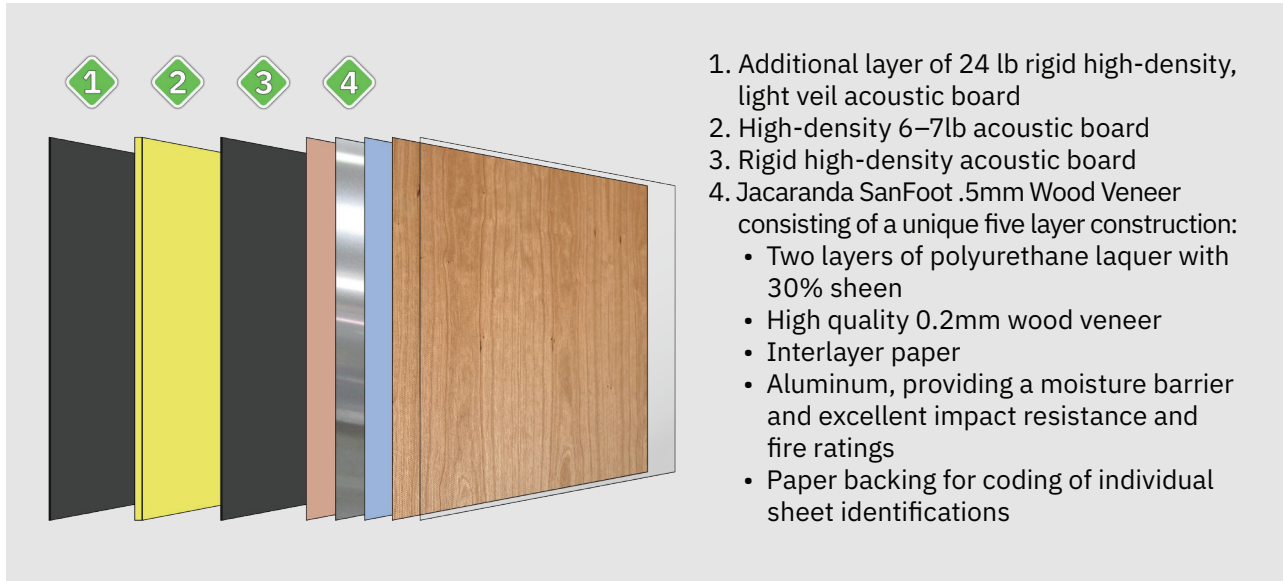
Standard Sizes and Coverings: 2–3 Weeks  
Custom Sizes and Coverings: 6–8 Weeks\*

\*any customer supplied coverings may require additional time for delivery and testing. Additionally, wood veneers require perforation. Anything not in stock requires an additional 4–6 weeks.

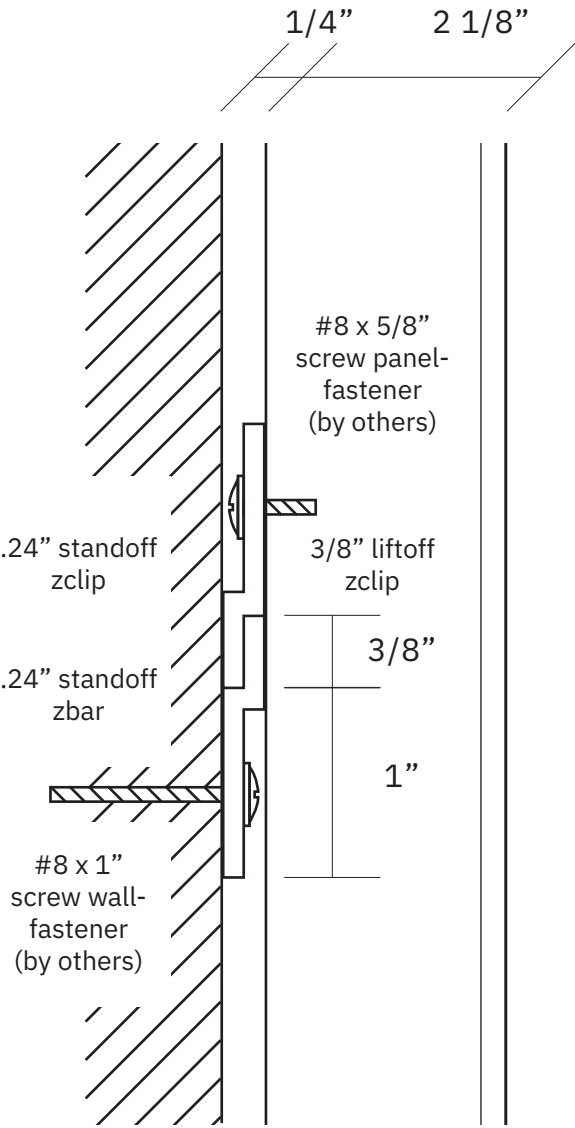
## Custom Shop

Need something unique? Want to co-create actionable solutions that improve the human experience? We believe, together, we can ideate, design, and build solutions, that create unique experiences. Call us to discuss our Custom Shop program.

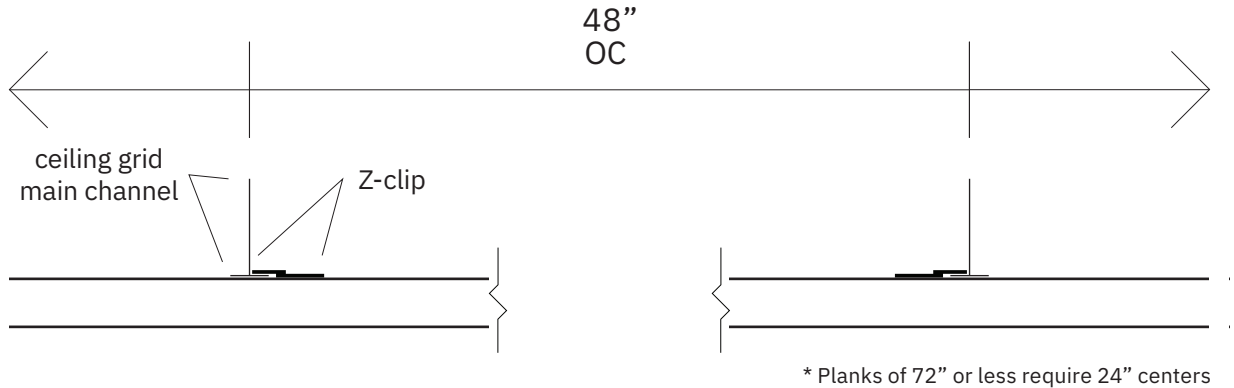
# Aoudi



### Wall Install Cross Section 1:1



### Ceiling Install Cross Section 1:5 96" Plank shown



# Aoudi



## Standard Species and Stains



Maple  
Flat Cut



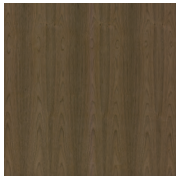
Cherry  
Flat Cut



Red Oak  
Flat Cut



Oak  
Whiterift



Walnut  
Flat Cut

**Non-standard Species and Stains**  
Over 100 species and cuts available.

Proudly partnering with

